

Power Supply SDC 12 1000

12VDC, 1A



DATASHEET

[Return to the Webpage](#)



Power Supply 12VDC, 1A. Switches, Attenuators, Lasers, Modulators

Features

- 12VDC
- 1A

Specifications

Parameter	Min	Typical	Max	Unit
Output Voltage		12		VDC
Output Current		1		A
Connector Type	2.1/5.5 mm Phono Plug			
Compatible Products	Switches, Attenuators, Lasers, Modulators			

Applications

- Power Supply
- Switches, Attenuators, Lasers, Modulators

Note: The specifications provided are for general applications with a cost-effective approach. If you need to narrow or expand the tolerance, coverage, limit, or qualifications, please [\[click this link\]](#):

Legal notices: All product information is believed to be accurate and is subject to change without notice. Information contained herein shall legally bind Agiltron only if it is specifically incorporated into the terms and conditions of a sales agreement. Some specific combinations of options may not be available. The user assumes all risks and liability whatsoever in connection with the use of a product or its application.

Rev 10/23/25

© Photonwares Corporation

P +1 781-935-1200

E sales@photonwares.com

W www.agiltron.com

Information contained herein is deemed to be reliable and accurate as of the issue date. Photonwares reserves the right to change the design or specifications at any time without notice. Agiltron is a registered trademark of Photonwares Corporation in the U.S. and other countries.

Power Supply SDC 12 1000

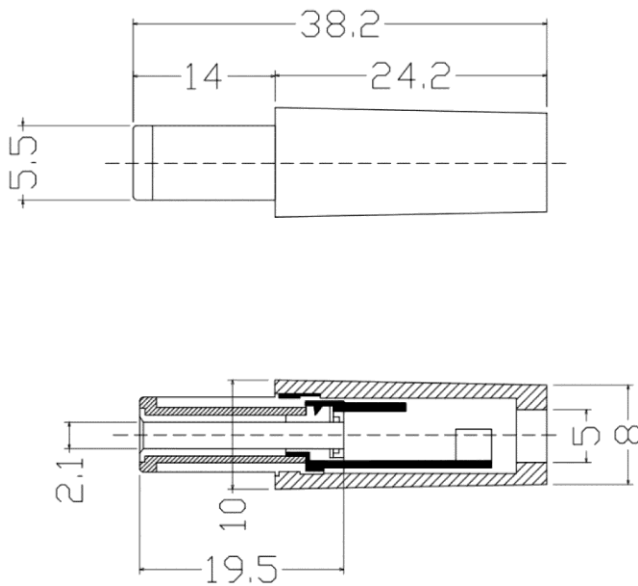
12VDC, 1A



DATASHEET

Mechanical Dimensions (mm)

Mechanical Dimensions (mm) -- Connector



Electrical parameter

Project	Parameter
Connector pin out	
Current rating/Voltage	5A/50V
Insulation resistance	$\geq 100M\Omega$
Contact Impedance	$\leq 50m\Omega$
Withstanding voltage	$\geq 1500VAC/1min$
Durability	$\geq 1X100000$ Cycles

*Product dimensions may change without notice. This is sometimes required for non-standard specifications.

Power Supply SDC 12 1000

12VDC, 1A



DATASHEET

Ordering Information (Part Number)

Prefix	Output Voltage	Output Current	Connector Type ^[1]				
SDC-	12VDC = 12	1A = 10	2.1/5.5 mm Phono Plug = 1				

[1]. The connector cannot be installed directly onto bare fiber, as it is prone to damage during shipping. However, the connector can be assembled on bare fiber if a 3 cm protective loose tube is added for reinforcement. The customer can remove this protective tube after testing. The optical power handling of a standard connector is less than 0.5 W for SM28 fiber and decreases further with smaller core fibers.

Application Notes

Power Supply SDC 12 1000

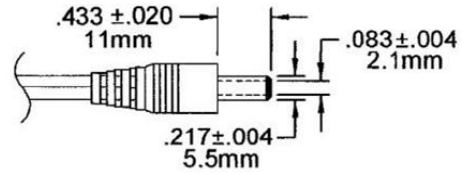
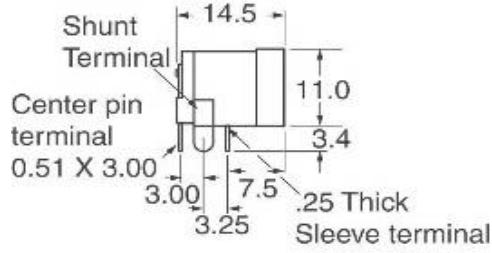
12VDC, 1A



DATASHEET

Power Connector

Power Barrel Connector Jack 2.00mm ID (0.079"), 5.50mm OD (0.217") Through Hole, Right Angle



12V Wall Plug DC Power Supply Interface

*Product dimensions may change without notice. This is sometimes required for non-standard specifications.