

LightBend™ Octo 2x2 Bypass MultiMode Fiber Optic Switch

(Bidirectional)

(Protected by U.S. patent 6823102 and pending patents)



DATASHEET

BUY NOW



The LB Series Octo 2x2 Bypass Multimode Fiberoptic switch integrated 4 dual 2x2 bypass switches in a single compact format. It is designed for 40G/100G transceiver bypass application. The device connects optical channels by redirecting incoming optical signals into selected output fibers. This is achieved using a patented opto-mechanical configuration and activated via an electrical control signal. Latching operation preserves the selected optical path after the drive signal has been removed. The switch has integrated electrical position sensors. This novel design significantly reduces moving part position sensitivity, offering unprecedented high stability as well as an unmatched low cost. The switch is bidirectional.

We offer tight-bend-fiber version, which reduces the minimum bending radius. This feature enables smaller overall foot print.

Features

- Low Optical Distortions
- High Reliability
- Fail-Safe Latching
- Epoxy-Free Optical Path

Applications

- Channel Blocking
- Configurable Add/Drop
- System Monitoring
- Instrumentation

Specifications

Parameter	Min	Typical	Max	Unit
Operation Wavelength	850, 1310, 1550, 850 & 1310			nm
Insertion Loss ^{[1], [2], [3]}		0.5	1.2	dB
Wavelength Dependent Loss		0.15	0.25	dB
Cross Talk ^[1]	35			dB
Return Loss ^[1]	35			dB
Switching Time		3	10	ms
Repeatability			± 0.05	dB
Durability	10 ⁷			cycle
Optical Power Handling		300	500	mW
Operating Voltage	4.5	5	6	VDC
Operating Current for each Switch [±10%]			42	mA
Switching Type	Latching / Non-Latching			
Operating Temperature	-5		70	°C
Storage Temperature	-40		85	°C

Notes:

- [1]. Excluding connectors.
- [2]. Dual band and Broad band.
- [3]. Measure at Laser source CPR<14dB.

Warning: This device must use the reference circuit to driver otherwise it is unstable

Legal notices: All product information is believed to be accurate and is subject to change without notice. Information contained herein shall legally bind Agiltron only if it is specifically incorporated into the terms and conditions of a sales agreement. Some specific combinations of options may not be available. The user assumes all risks and liability whatsoever in connection with the use of a product or its application.

Rev 01/05/24

LightBend™ Octo 2x2 Bypass MultiMode Fiber Optic Switch

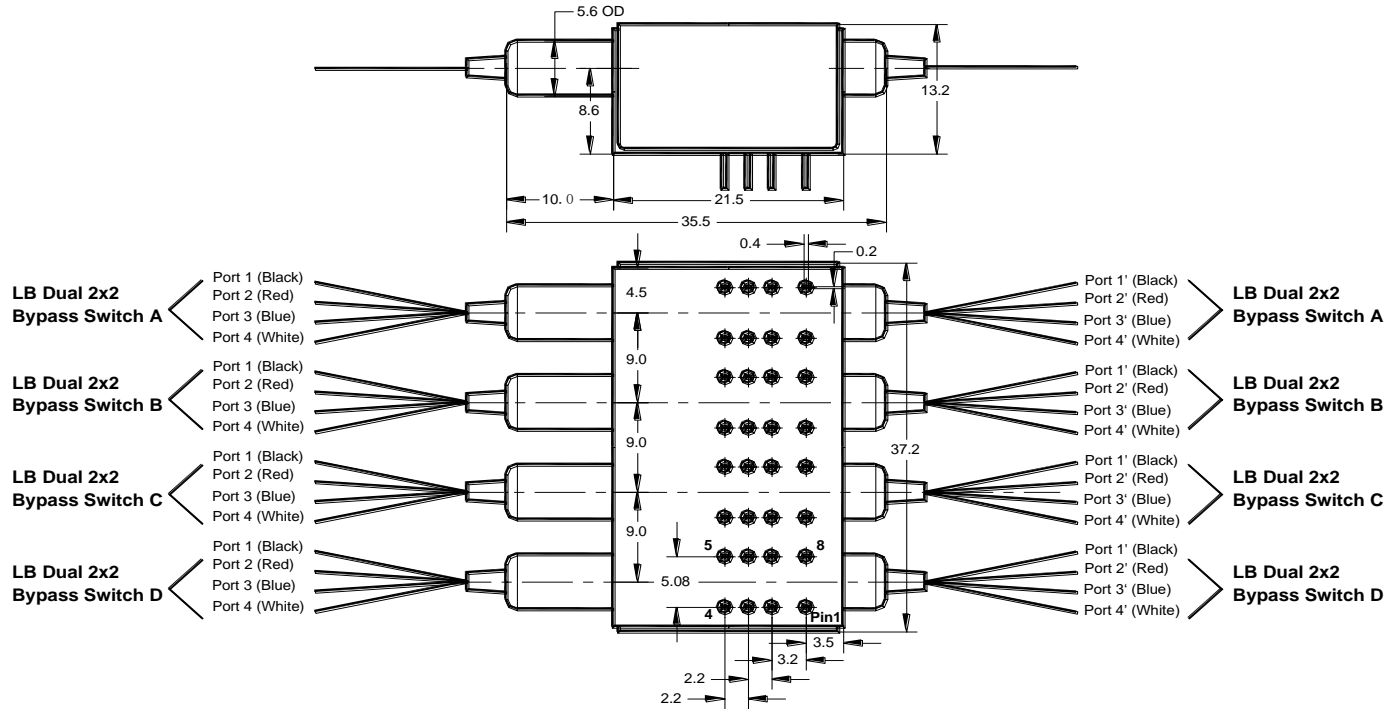
(Bidirectional)



(Protected by U.S. patent 6823102 and pending patents)

DATASHEET

Mechanical Dimensions (mm)



*Product dimensions may change without notice. This is sometimes required for non-standard specifications.

Electrical Connector Configurations

The load is a resistive coil which is activated by applying 5V (draw ~ 40mA). However, the current flow direction must be correct otherwise it will cancel the permanent magnet inside causing instability. We strongly recommend to use the reference circuit to avoid major issues. We offer pushbutton elevation driver for verifications or convenient income inspection.

Latching type (For LB Dual 2x2 Bypass MM Switch A, B, C and D)

Application Note: Applying a constant driving voltage increases stability. The switches can also be driven by a pulse mode using Agiltron recommended circuit for energy saving.

Optical Path	Electric Drive		Status Sensor			
	Pin 1	Pin 8	Pin 2-3	Pin 3-4	Pin 5-6	Pin 6-7
Port 1 → Port 1' Port 2 → Port 2' Port 3 → Port 3' Port 4 → Port 4'	5V Pulse	0	Open	Close	Close	Open
Port 1 → Port 3' Port 2 → Port 4'	0	5V Pulse	Close	Open	Open	Close

Non-Latching type (For LB Dual 2x2 Bypass MM Switch A, B, C and D)

Optical Path	Electric Drive		Status Sensor			
	Pin 1	Pin 8	Pin 2-3	Pin 3-4	Pin 5-6	Pin 6-7
Port 1 → Port 1' Port 2 → Port 2' Port 3 → Port 3' Port 4 → Port 4'	5V Pulse	0	Open	Close	Close	Open
Port 1 → Port 3' Port 2 → Port 4'	No Power		Close	Open	Open	Close

LightBend™ Octo 2x2 Bypass MultiMode Fiber Optic Switch

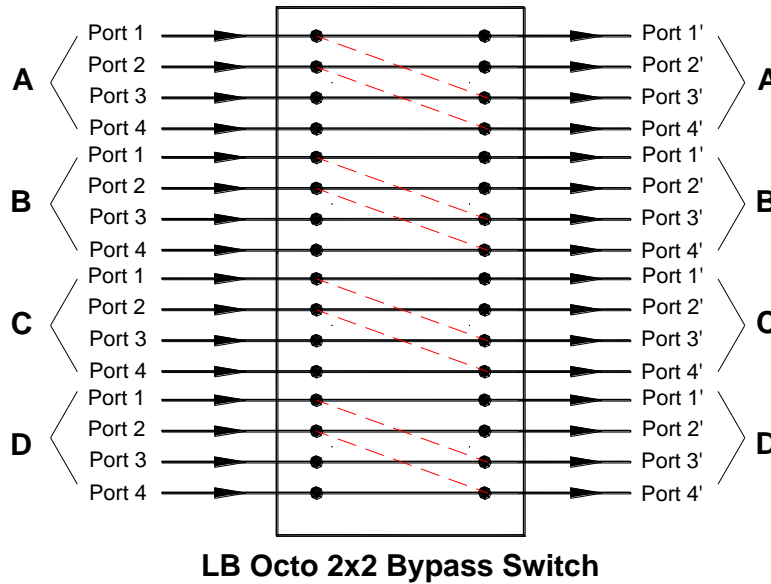


(Bidirectional)

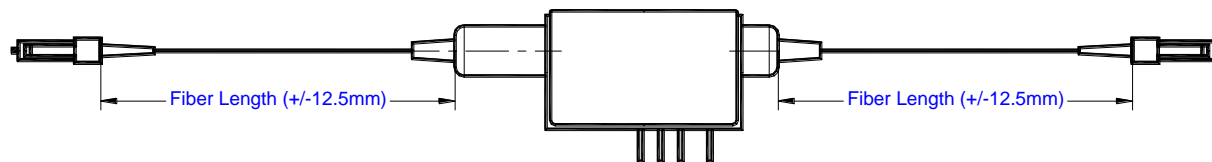
(Protected by U.S. patent 6823102 and pending patents)

DATASHEET

Functional Diagram



Fiber Length Definition



Ordering Information

Prefix	Type	Wavelength	Switch	Package	Fiber Type	Fiber Cover	Fiber Length	Connector
LOBM- ^[1]	2x2 = 12 Special = 00	850 = 8 1310 = 3 1550 = 5 850 / 1310 = A Special = 0	Latching = 1 Non-latching = 3 Special = 0	Standard = 1 Special = 0	MM 50/125 = 5 MM 62.5/125 = 6 OM4 = 7 Special = 0	Bare fiber = 1 900µm tube = 3 Special = 0	0.25m = 1 0.5m = 2 1.0m = 3 Special = 0	None = 1 FC/PC = 2 FC/APC = 3 SC/PC = 4 SC/APC = 5 ST/PC = 6 LC/PC = 7 Duplex LC/PC = 8 MTP = 9 LC/UPC = U Special = 0

[1]. LOBM: LightBend Octo 2x2 Bypass Multimode Switch

LightBend™ Octo 2x2 Bypass MultiMode Fiber Optic Switch

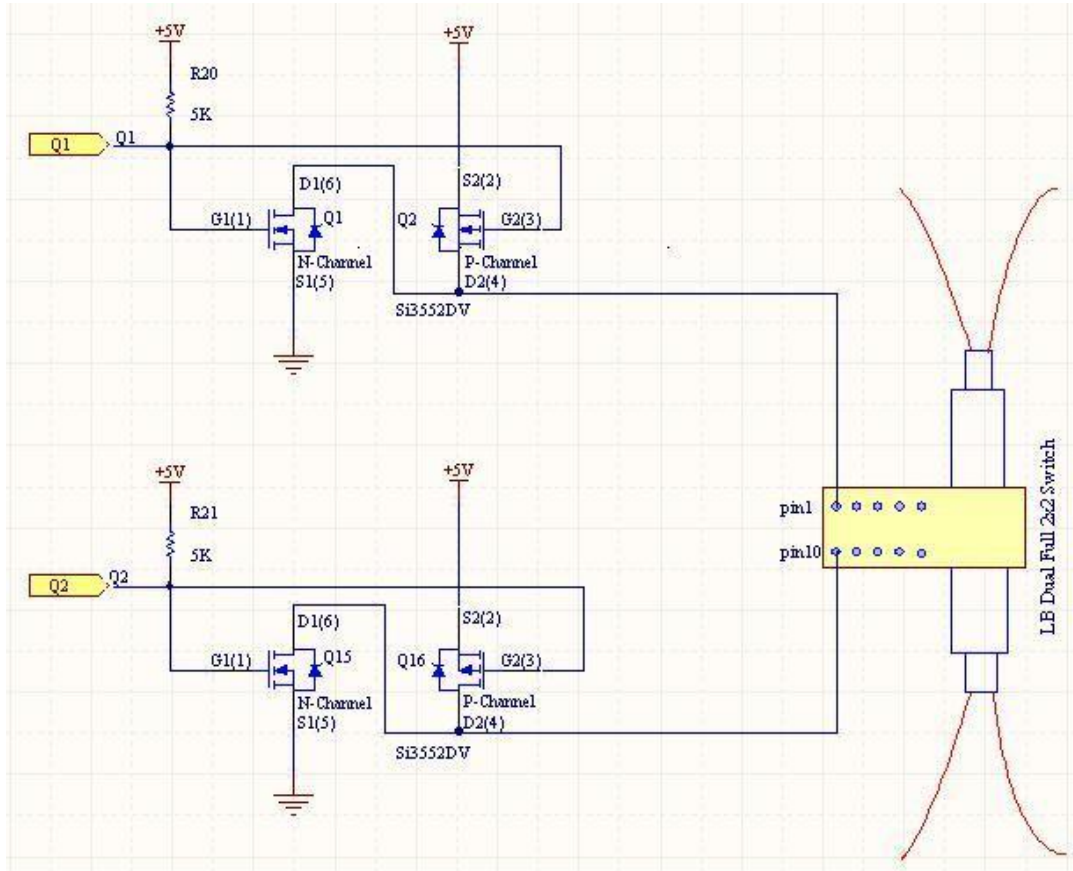
(Bidirectional)

(Protected by U.S. patent 6823102 and pending patents)



DATASHEET

Driver Reference Design



Application Notes

Fiber Core Alignment

Note that the minimum attenuation for these devices depends on excellent core-to-core alignment when the connectors are mated. This is crucial for shorter wavelengths with smaller fiber core diameters that can increase the loss of many decibels above the specification if they are not perfectly aligned. Different vendors' connectors may not mate well with each other, especially for angled APC.

Fiber Cleanliness

Fibers with smaller core diameters (<5 μm) must be kept extremely clean, contamination at fiber-fiber interfaces, combined with the high optical power density, can lead to significant optical damage. This type of damage usually requires re-polishing or replacement of the connector.

Maximum Optical Input Power

Due to their small fiber core diameters for short wavelength and high photon energies, the damage thresholds for device is substantially reduced than the common 1550nm fiber. To avoid damage to the exposed fiber end faces and internal components, the optical input power should never exceed 20 mW for wavelengths shorter 650nm. We produce a special version to increase the how handling by expanding the core side at the fiber ends.